

Air Cooled
Condensing unit By **itc**

Feel the Capacity of Air Cooled Condensing Unit



The Air Cooled Condensing unit (HAM) by ITC features high quality and high efficiency in compare with any other condensing machines. It's unique and advance technology highly promotes smooth automatic operation. In addition, the unit is capable of heat rejection while keeping the cool air's equilibrium inside the refrigeration system. Meanwhile, the heat loads from, for examples, products and machines inside the facility will be expelled by the condensers.

I.T.C. (1993) CO., LTD.

10, 12 ซอยรามคำแหง 118 แยก 61 แขวงสะพานสูง เขตสะพานสูง กทม. 10240
10, 12 Soi Ramkhamhaeng 118 Yak 61, Saphansong, Saphansong, Bangkok 10240 Thailand.

Tel : +66-2184-0055 Fax : +66-2184-0065

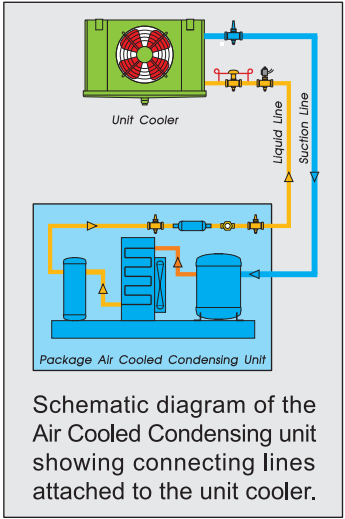
www.itc-group.co.th info@itc-group.co.th



Air Cooled

Condensing unit

By **itc**



HAM

Hermetic Compressor uses refrigerant such as R22, R134 or R507. It is strongly built as the power house for being more capable of eliminating heat which emerges from internal environment.

(Please see its specification listed below)

Highly Efficient Condenser is attached with fans, which their number depend on the products and heat loads. Furthermore, a crankcase heater, compressor oil, sight glass and filter are included in this condensing unit.

Pressure vessel completed with either pressure relief valve or fusible plug operates in a maximum of 250 psig pressure. It can handle the increasing pressure inside the vessel and can alleviate the excessive pressure by lowering it automatically. Also, a Hi-Low automatic reset signal acts as a key operator for changes in pressure levels of heat.

Model	Capacity at -5 °C Watts	Capacity at -25 °C Watts	Air Flow m ³ /Hr	Receiver Volume (dm ³)	Overall Dimension (mm)			Unit Weight kg
					Length	Width	Height	
S101A-HAM	2,460	760	1,450	4	700	500	400	50
S101B-HAM	3,250	1,020	1,450	4	700	500	400	51
S102A-HAM	4,460	1,700	1,300	4	700	500	400	52
S102B-HAM	5,100	1,970	2,800	6	800	600	450	65
S103A-HAM	5,830	2,350	2,800	6	800	600	450	65
S103B-HAM	6,580	2,600	2,600	6	800	600	450	70
S104A-HAM	8,070	3,180	4,600	7.5	1,000	700	570	88
S105A-HAM	10,210	4,110	3,600	10	1,000	700	570	100
S106A-HAM	12,980	5,260	5,400	10	1,000	700	570	120
S108A-HAM	15,720	6,090	9,000	10	1,200	800	800	150

Note :

- 1.) Above capacity based on R-404a, Air Entering +32 °C.
- 2.) Other capacity and dimension are available. Please contact the manufacturer.
- 3.) Specifications subject to change without notice.

