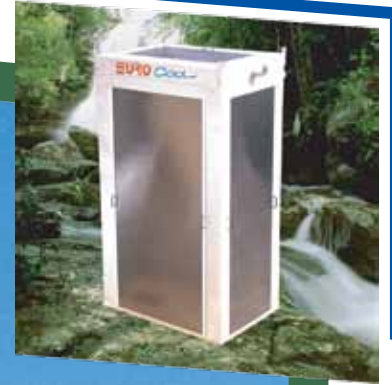


Falling Film

*Packaged Unit*

By **itc**



# Falling Film

## Packaged Unit

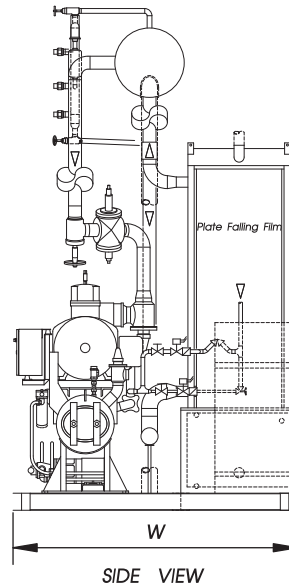
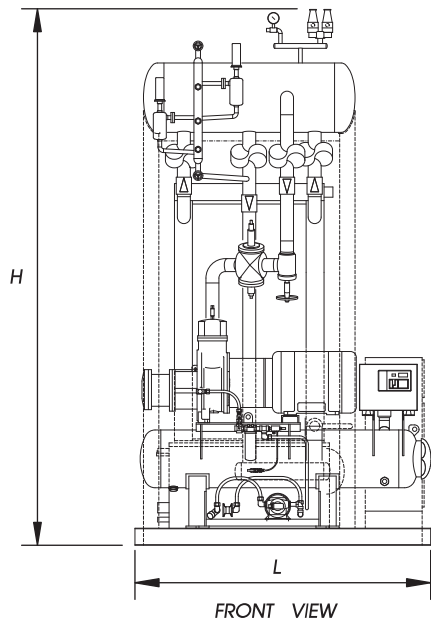
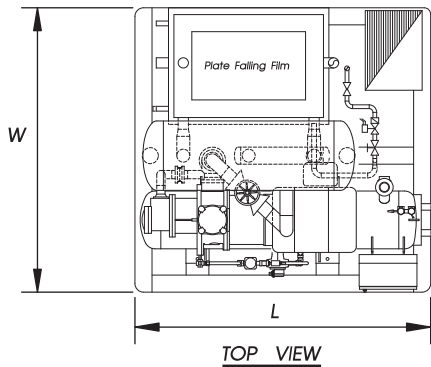


### ITC - FFP

#### ITC Falling Film packaged

The unit include the following equipment and accessories

- GEA - FES Screw Compressor
- Motor for compressor and coupling
- Falling Film Plate Heat-Exchanger
- Accumulator
- Critical Charge liquid receiver
- Motor starter and control panel
- High side float control device
- Level Float controller
- Water Basin
- Neccessaries valve and control valve for the packaged.



Model	FFP-60S	FFP-75S	FFP-85S	FFP-110M	FFP-160M	FFP-195M	FFP-230L	FFP-290L	FFP-340L	FFP-400L	FFP-475L	FFP-565L
Water Flow rate (m <sup>3</sup> /Hr)	4.75	5.75	6.81	8.81	13.06	16.22	20.60	25.50	28.70	32.98	38.89	45.83
Motor Install (HP)	75	100	125	150	200	250	300	400	450	500	600	700
Water In/Out Temp.	+32°C / +1°C											
Cond. / Evap. Temp.	+38° / -5°C											
Refrigerant	R-717 & Other refrigerant consult Factory											
Electrical (V/P/Hz)	400 / 3 / 50											
Overall Width (mm)				2,900			3,500			3,900		
Overall Length (mm)	4,000			4,500			5,500			6,000		
Overall Height (mm)	3,800			4,500			5,000			5,500		
Appx. Operating Weight (kg)	4,300	4,720	5,860	5,610	9,500	10,150	13,030	14,590	14,980	15,200	15,950	17,150

Note : 1.) Other capacity and dimension are available, please contact manufacturer.  
 2.) Specifications subject to change without notice.

